

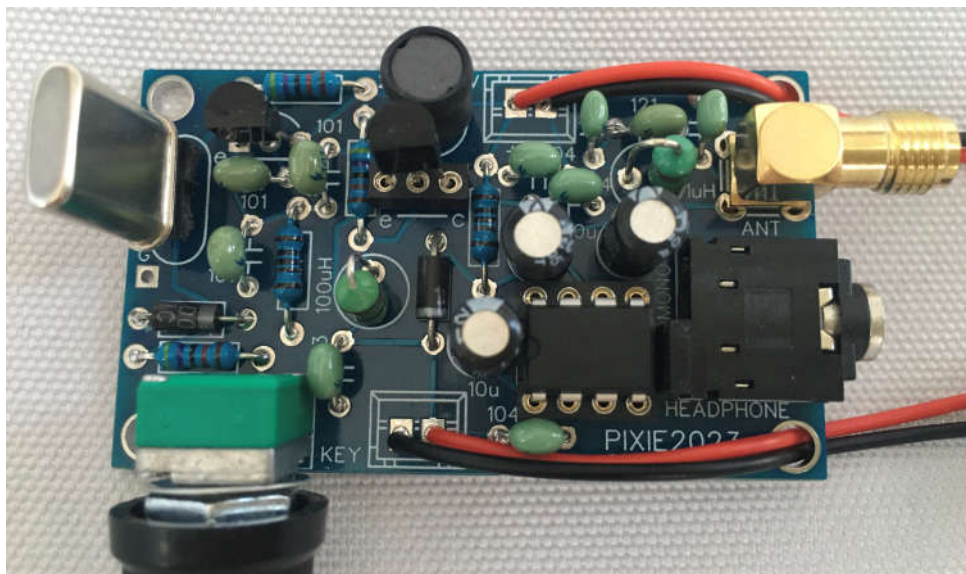
Classic PCB Kit Series

CPK-1: Pixie2023 CW Transceiver

Kit Assembly Manual

CRKITS.COM

Sept. 23, 2023



Change History:

2023/9/10: Draft

2023/9/23: Formal Release

Some History

https://www.ggrp.com/The_Sprat_Pixie_File.pdf

The Pixie File documented the history of the Pixie design. Read if you are interested.

Start from Scratch

Watch these short videos if you start from scratch.

Basic Electronic Components 101

<https://youtu.be/MlbhPFdjpTs?si=7hj1-OcIWIDQhigU>

Learn to Solder

https://youtu.be/v4D_Rdp1uh8?si=3UQ44hjm3mKkow_y

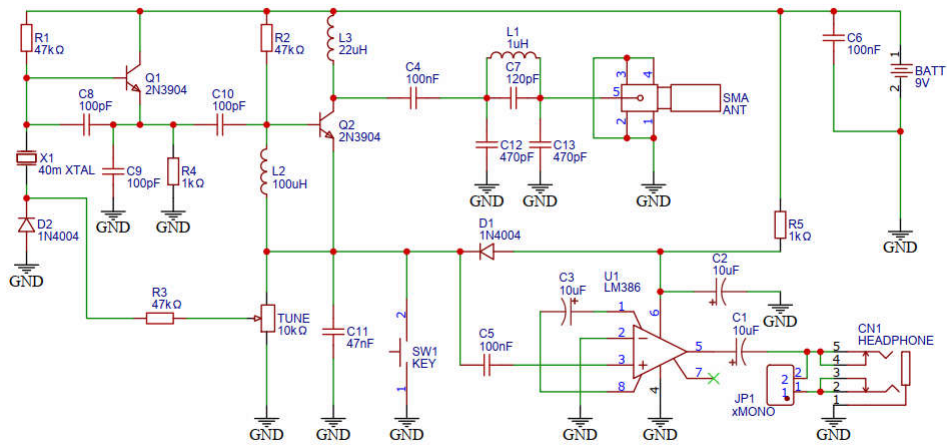
Part List

Pixie2023 PCB Kit Part List

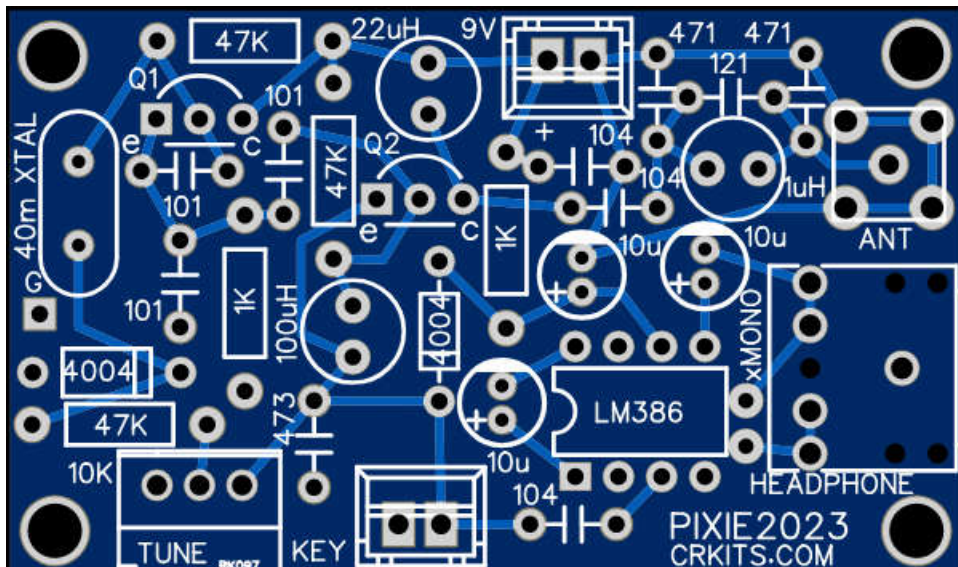
Part	Qty	How to tell
1k	2	BRN-BLK-BLK-BRN-BRN
47k	3	YEL-PPL-BLK-RED-BRN
10k potentiometer with knob	1	
100pF	3	101
120pF	1	121
470pF	2	471
47nF	1	473
100nF	3	104
10uF	3	25V 10uF
1uH	1	BRN-BLK-GLD-SLV
22uH	1	Black
100uH	1	BRN-BLK-BRN-SLV
1N4004	2	
2N3904	2	
LM386	1	
IC 8-pin socket	1	For LM386
IC 6-pin socket	1	Rework for crystal and Q2 sockets

SMA connector	1
Audio connector	1
Key connector	1
Battery clip connector	1
7010 kHz crystal	1
7030 kHz crystal	1
PCB	1

Schematic



PCB



Step by step build video

Part 1

<https://youtu.be/gybRmkKILJM?si=V97E5jdoGVKWq8j2>

Part 2

https://youtu.be/g0dgeEI6Qos?si=kGkquSRoNUxl_ake

Still have questions? Subscribe to <https://groups.io/g/crkits> and ask in the group.

Order online at <http://crkits.com>.